

IMHC 850

OUTREACH (RADIUS): 9 - 34/35 m
MAX CAPACITY: 40 t



IMHC 850

The high speed IMHC 850 is most suitable for general cargo such as bulk materials, steel coils and timber.

The crane is built in two variants:

1. Single winch with 2 ropes
2. Double winch with 4 ropes (4-ropes grab crane)

GENERAL DIMENSIONS AND WEIGHTS

A	Minimum outreach/Radius	8 - 9 m
B	Maximum outreach/Radius	34 - 35 m
C	Overall height tower	23,4 m
D	Tower cab height (operator eye level)	17,5 m
E	Height of boom fulcrum	12,2 m

HOISTING HEIGHTS

F	Above quay level until	30 m: h = 30 m
G	Above quay level at maximum radius	22 m
H	Under quay level	15 m

CHASSIS AND PROPPING SYSTEM WITH STANDARD PADS

I	Overall width of undercarriage	4,5 m
L	Minimum overall width outriggers	8,4 m
M	Maximum Propping base	9,25 x 10 m
	Chassis dimensions in travel mode (approx.)	12,6 x 8,4 m

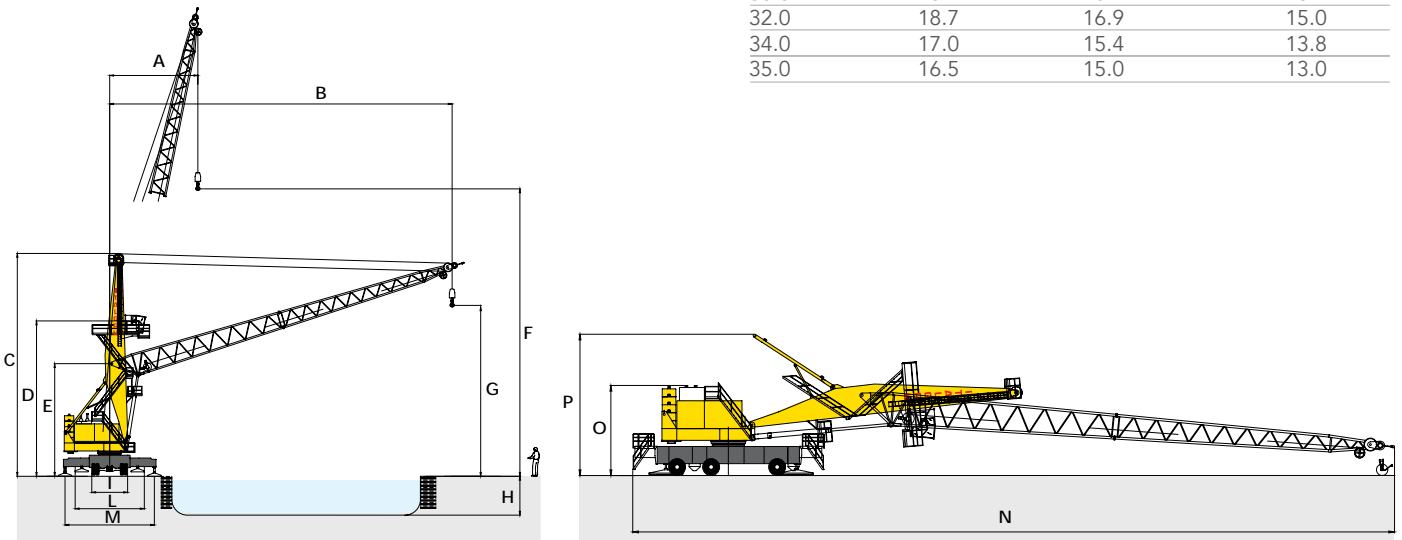
DIMENSIONS WITH TOWER AND BOOM LOWERED

N	Overall length	53,5 m
O	Machinery house height	7,6 m
P	Overall height	11,2 m

TRAVEL GEAR

Axles	3
Steering axles	3
Driven axles	1

OUTREACH/ RADIUS	HEAVY USE	GENERAL CARGO CONTAINERS	GRAB USE
m	t Under hook	t Under hook	t Under ropes
8.0 - 9.0	40.0 - 62.0	36.0 - 50.0	25.0 - 42.0
10.0	40.0 - 62.0	36.0 - 50.0	25.0 - 42.0
12.0	40.0 - 62.0	36.0 - 50.0	25.0 - 42.0
14.0	40.0 - 56.9	36.0 - 50.0	25.0 - 41.9
16.0	40.0 - 48.6	36.0 - 48.4	25.0 - 36.0
18.0	40.0 - 41.5	36.0 - 41.3	25.0 - 30.9
20.0	36.3	31.8 - 34.9	25.0 - 26.4
22.0	31.5	28.4 - 30.1	24.6
24.0	28.3	25.5	22.1
26.0	25.6	23.1	19.9
28.0	23.0	20.7	18.0
30.0	20.7	18.7	16.4
32.0	18.7	16.9	15.0
34.0	17.0	15.4	13.8
35.0	16.5	15.0	13.0



Other dimensions, lifting capacities, working speeds and equipments are available on request.

CONTACT

Ph. +49 2161 639 89 17
 Fax +49 2161 917 49 22
 info@steinberg.gmbh
 www.steinberg.gmbh