

# IMHC 3160

OUTREACH (RADIUS): 11 - 54 m  
MAX CAPACITY: 160 t



**IMHC 3160**

The IMHC 3160 has been designed to efficiently load and unload vessels up to the size of post-panamax carriers. The crane allows to handle all types of cargo including heavy lifts up to 160 tons.

The crane is built in two variants:

1. Single winch with 2 ropes
2. Double winch with 4 ropes (4-ropes grab crane)

**GENERAL DIMENSIONS AND WEIGHTS**

A	Minimum outreach/Radius	11 m
B	Maximum outreach/Radius	54 m
C	Overall height tower	39,6 m
D	Tower cab height (operator eye level)	29 m
E	Height of boom fulcrum	23,2 m

**HOISTING HEIGHTS**

F	Above quay level	> 45 m
G	Above quay level at maximum radius	29 m
H	Under quay level	15 m

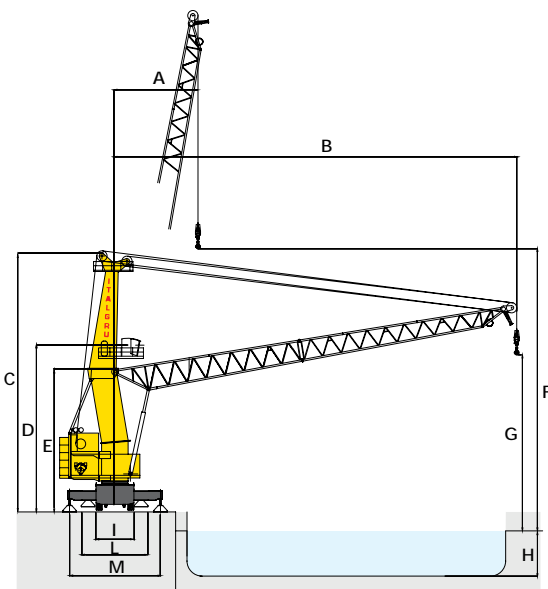
**CHASSIS AND PROPPING SYSTEM WITH STANDARD PADS**

I	Overall width of undercarriage	5,5 m
L	Minimum overall width outriggers	9,8 m
M	Maximum Propping base	13 x 17,3 m
	Chassis dimensions in travel mode (approx.)	21,3 x 9,8 m

**TRAVEL GEAR**

Axles	7 - 8
Steering axles	7 - 8
Driven axles	2

OUTREACH/ RADIUS	HEAVY USE	TWIN LIFT	SINGLE LIFT	GRAB USE
m	t Under hook	t Under hook	t Under hook	t Under ropes
11.0	160.0	65.0	50.0	60.0
12.0	160.0	65.0	50.0	60.0
14.0	160.0	65.0	50.0	60.0
16.0	150.0	65.0	50.0	60.0
18.0	150.0	65.0	50.0	60.0
20.0	146.0	65.0	50.0	60.0
22.0	132.0	65.0	50.0	60.0
24.0	119.0	65.0	50.0	60.0
26.0	107.5	65.0	50.0	60.0
28.0	98.5	65.0	50.0	60.0
30.0	90.5	65.0	50.0	60.0
32.0	83.5	65.0	50.0	60.0
34.0	77.5	65.0	50.0	56.0
36.0	72.0	65.0	50.0	52.5
38.0	67.5	63.0	50.0	49.0
40.0	63.0	60.0	50.0	46.0
42.0	59.0	57.0	50.0	43.5
44.0	55.0	54.0	50.0	41.0
46.0	51.5	51.0	50.0	39.0
48.0	48.0	48.0	48.0	37.0
50.0	45.0	45.0	45.0	35.0
52.0	42.5	42.5	42.5	33.0
53.0	41.0	41.0	41.0	32.0
54.0	40.0	38.0	38.0	30.0



Other dimensions, lifting capacities, working speeds and equipments are available on request.

**CONTACT**

Ph. +49 2161 639 89 17  
 Fax +49 2161 917 49 22  
 info@steinberg.gmbh  
 www.steinberg.gmbh