

IMHC 1580

OUTREACH (RADIUS): 10 - 40 m
MAX CAPACITY: 80 t



IMHC 1580

Ideally suitable for feeder and medium sized vessels, the IMHC 1580 is built for fast and efficient handling of bulk, coils and containers (telescopic 20' or 40' spreader).

The crane is built in two variants:

1. Single winch with 2 ropes
2. Double winch with 4 ropes (4-ropes grab crane)

GENERAL DIMENSIONS AND WEIGHTS

A	Minimum outreach/Radius	10 m
B	Maximum outreach/Radius	40 m
C	Overall height tower	25,7 m
D	Tower cab height (operator eye level)	18 m
E	Height of boom fulcrum	13 m

HOISTING HEIGHTS

F	Above quay level	34 m
G	Above quay level at max. rad.	25 m
H	Under quay level	15 m

CHASSIS AND PROPPING SYSTEM WITH STANDARD PADS

I	Overall width of undercarriage	4,5 m
L	Minimum overall width outriggers	8,4 m
M	Maximum Propping base	10 x 10 m
	Chassis dimensions in travel mode (approx.)	13,5 x 8,4 m

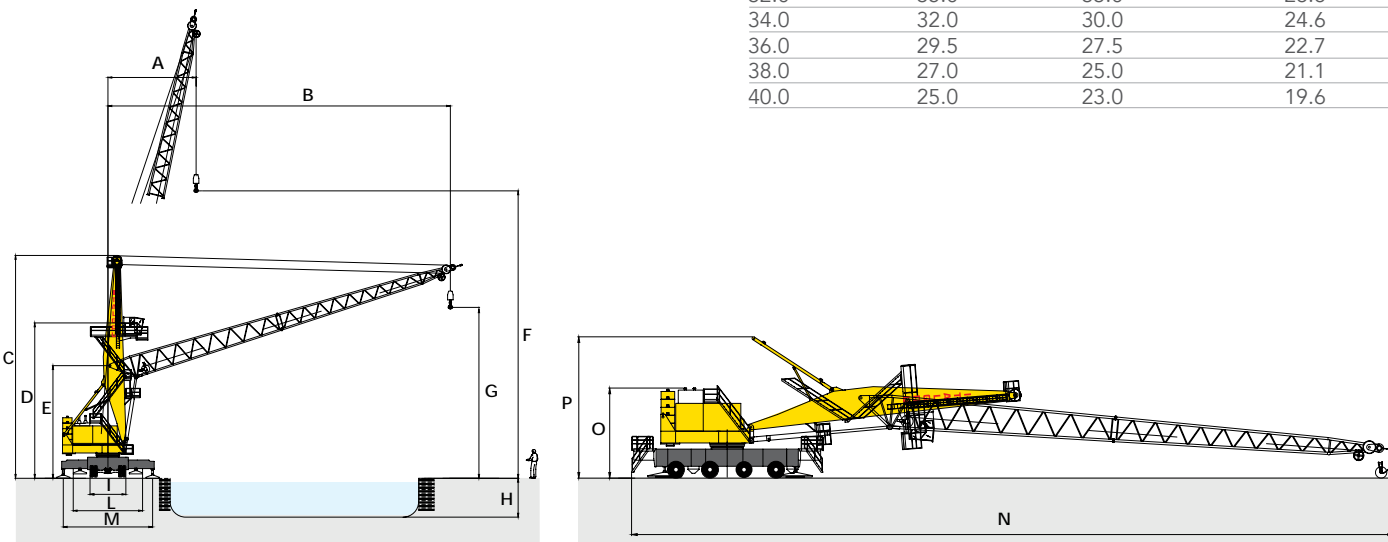
DIMENSIONS WITH TOWER AND BOOM LOWERED

N	Overall length	60 m
O	Machinery house height	7,8 m
P	Overall height	12,4 m

TRAVEL GEAR

Axles	4
Steering axles	4
Driven axles	2

OUTREACH/ RADIUS	HEAVY USE	GENERAL CARGO CONTAINERS	GRAB USE
m	t Under hook	t Under hook	t Under ropes
10.0	63.0 - 80.0	50.0	42.0
12.0	63.0 - 80.0	50.0	42.0
14.0	63.0 - 80.0	50.0	42.0
16.0	63.0 - 80.0	50.0	42.0
18.0	63.0 - 79.4	50.0	42.0
20.0	63.0 - 67.7	50.0	42.0
22.0	58.6	50.0	42.0
24.0	51.4	45.3	39.9
26.0	46.0	43.5	35.7
28.0	42.0	40.0	32.2
30.0	38.5	36.5	29.3
32.0	35.0	33.0	26.8
34.0	32.0	30.0	24.6
36.0	29.5	27.5	22.7
38.0	27.0	25.0	21.1
40.0	25.0	23.0	19.6



Other dimensions, lifting capacities, working speeds and equipments are available on request.

CONTACT

Ph. +49 2161 639 89 17
 Fax +49 2161 917 49 22
 info@steinberg.gmbh
 www.steinberg.gmbh